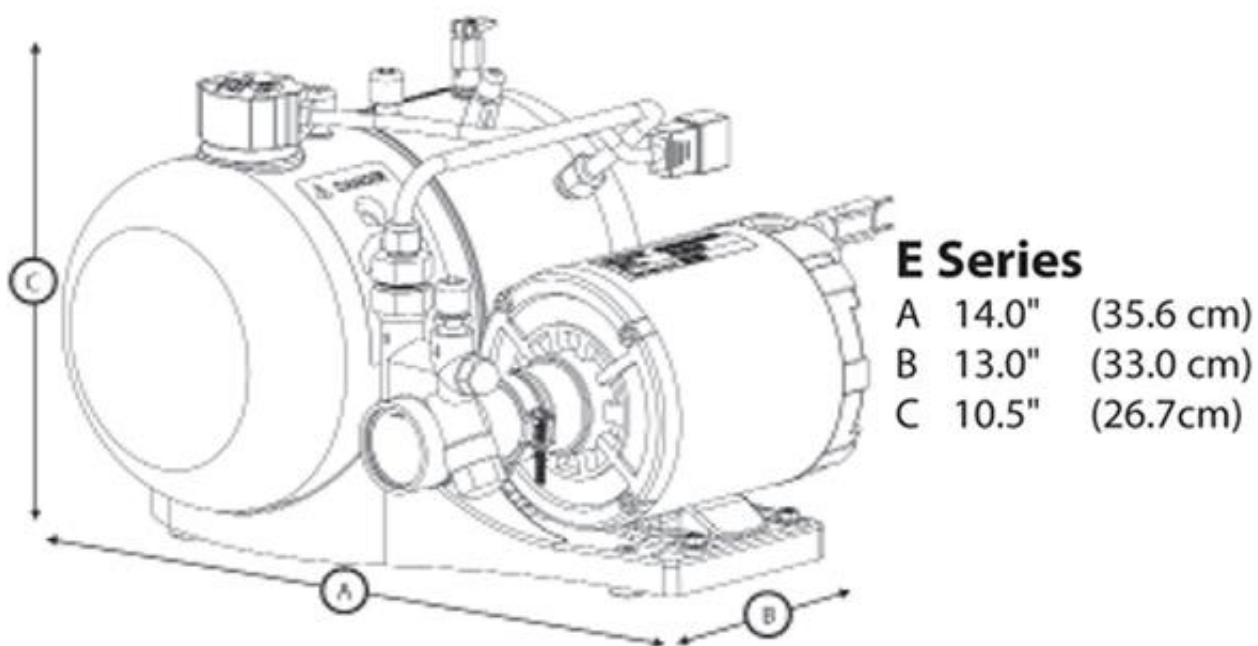

DOWNLOAD

[Mccann Big Mac Carbonator Manual](#)



[Mccann Big Mac Carbonator Manual](#)

DOWNLOAD

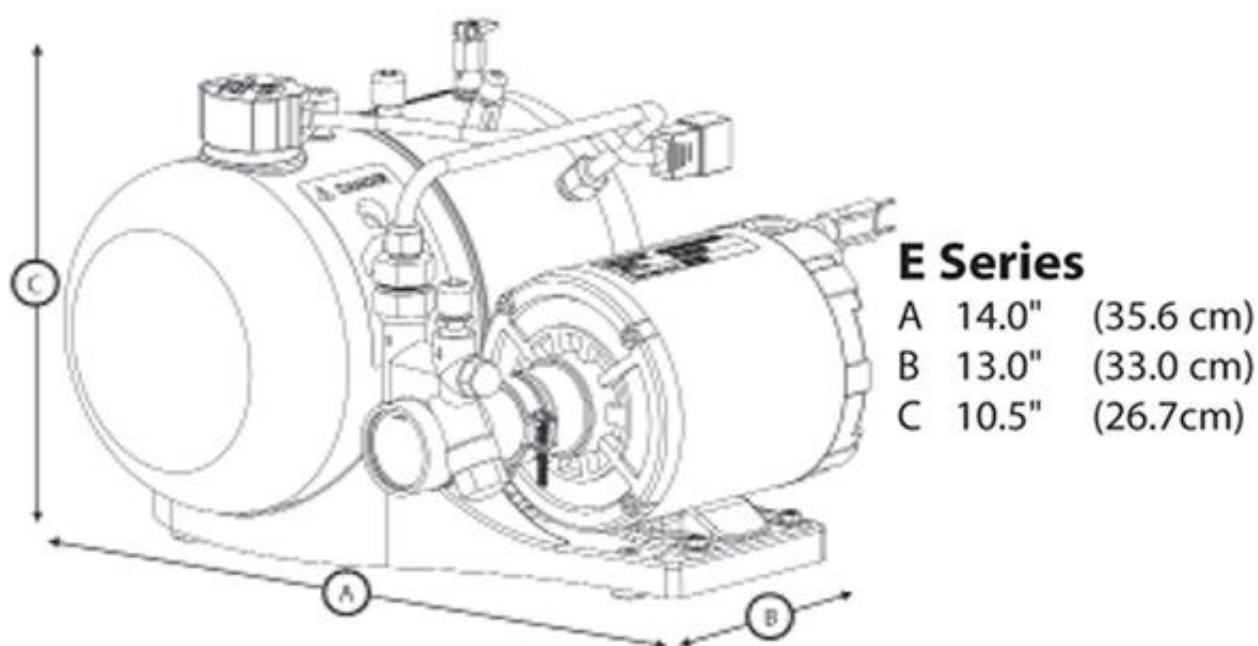
This carbonator was built with the service technician in mind The two-piece probe design with exclusive diagnostics allows for replacement without shutting off CO2 or water.. Mac welder ws-120 manual CARBONATORS WATER BOOSTERS CARBONATORS WATER BOOSTERS 919-0003 Schroeder America introduces the latest addition to their line up with a fast flow carbonator.

1. [mccann carbonator manual](#)
2. [mccann small carbonator manual](#)

mccann carbonator manual

mccann carbonator manual, mccann big mac carbonator manual, mccann small carbonator manual [تحميل برنامج Player Media Classic Home Cinema](#) [تحميل](#)

[Ableton Instrument Racks Download](#)



[Serato](#)

[Scratch Live Settings](#)

mccann small carbonator manual

[Rock of Ages Download\] \[Keygen\]](#)
[Muat Turun Al Quran Ghamdi Mp3 English Conversation Chart](#)

[The Drivers Of Employee Engagement 2004- Download fast](#)

773a7aa168 [Best Free Mp3 Download Site For Mobile](#)

773a7aa168

[Minecraft Controller For Ps3 On A Mac](#)